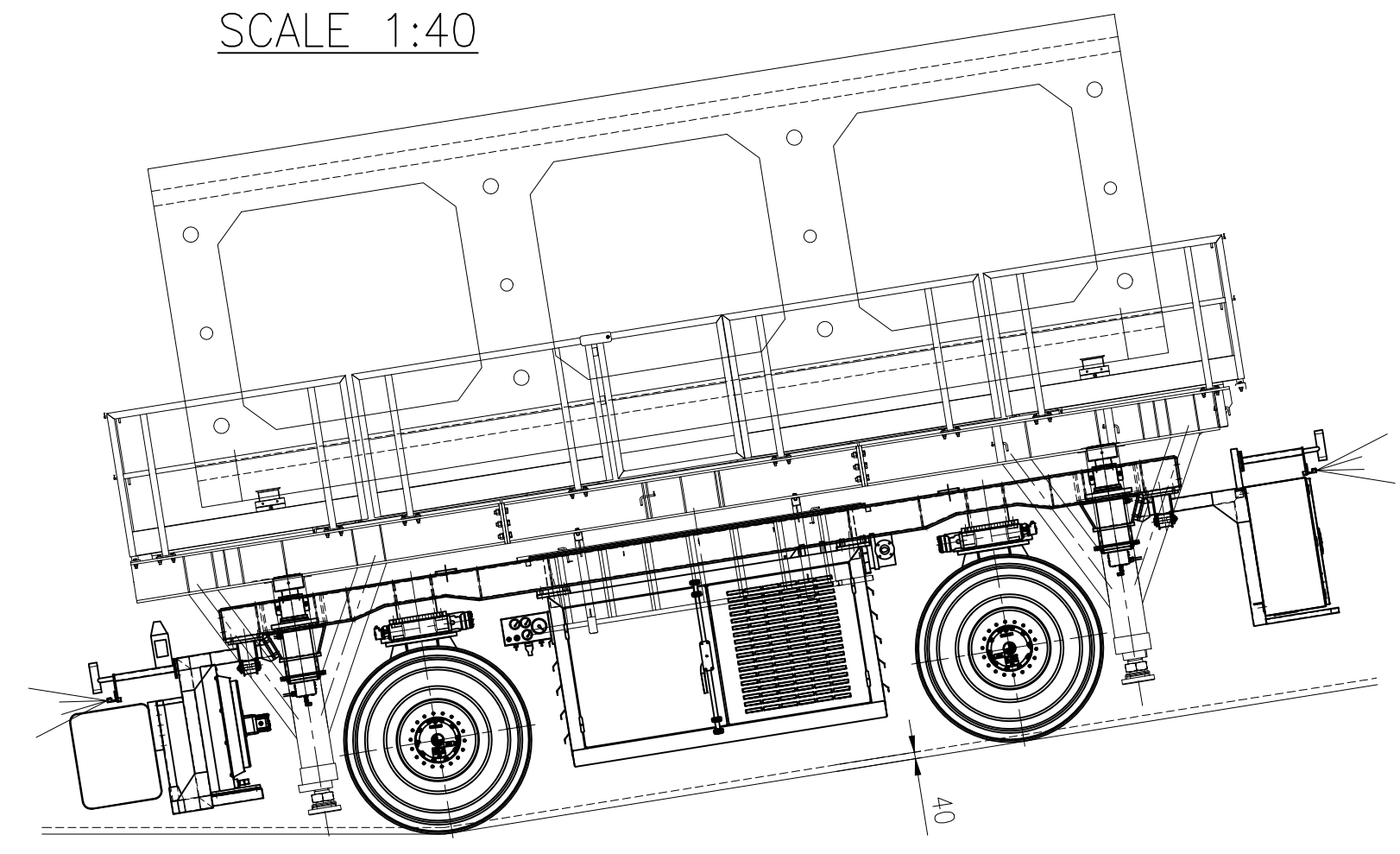


SCALE 1:40



Gradient	Max. speed Unloaded (Km/h)	Max. speed 30 Ton Payload (Km/h)	Max. speed 43 Ton Payload (Km/h)
0-2 %	3	2,5	2,5
2-4 %	3	1,5	1,5
4-5 %	2,5	1,5	1,5
5-10 %	2,5	1	1
10-16 %	1,5	1	1

Carring capacity	43 (metric Ton)
Gauge	1360 mm
Distance between lifting Jack	1500 mm
Outside width	2450 (mm)
Lifting stroke	150 (mm)
Max Longitudinal surmountable slope (single mode)	+/- 16%
Max Longitudinal surmountable slope (twin mode)	+/- 1%
Max Transversal surmountable slope	+/- 3%
Type of tyres	12.00 - 20
Numbers of tires	8
Tire pressure	10 bar
Tyre filling	70% water+anti-freeze fluid
Steering wheels groups	4
Motorized wheels	8
Steering mode	(ref. to sheet 3)
Tot. Power installed	55 kW
Equipment control	By Radio Remote Control

QUANTITY IN THE BILL OF MATERIAL ARE FOR ONE UNIT.  
 UNIT WEIGHT = 9000 \*\* Kg  
 NUMBER OF UNITS FOR EACH EQUIPMENT = 4  
 TOTAL WEIGHT = 36000 Kg

POS.	Q.TY	DRAWING TITLE	MARK	DRAWING N°	UNIT WEIGHT	TOT. WEIGHT	COLOR	NOTES
11	1	JB CONNECTOR						
10	4	LED LHIGHT 20W						
9	2	ANCHOR BAND ABS 2X01215 L=4.2 2.5 TON						SPANSET
8	1	HEAT EXCHANGER	-	50	50			EMMEGI
7	1	DIESEL TANK PICCINATO 185lt	-	30	30			WITHOUT FUEL **
6	1	MAIN ELECTRIC SWITCHBOARD	-	200	200			
5	1	SENSOR GROUP	T45DUES0001	5	5			
4	1	HYDRAULIC POWER UNIT	T45DUAKA001	1400	1400			WITHOUT OIL **
3	4	ENCODER GROUP	T45DUADC011	1	4			
2	1	WHEELS GROUP	T45DUADC010	3760	3760			
1	1	STRUCTURE GROUP	T45DUADA001	3510	3510			
01	03/03/2022	RENAMED ASSEMBLY			chiave	parola	parola	
00	24/11/2021	FIRST ISSUE			Spic	parola	parola	

No.	DATE	ISSUE	DRW.	CHK.	APP.

PROJECT: SEGMENT TRANSPORTER GENERAL ASSEMBLY

TITLE: SEGMENT TRANSPORTER GENERAL ASSEMBLY

Scale 1:20 Drawing format A1 Sheet 1 of 3

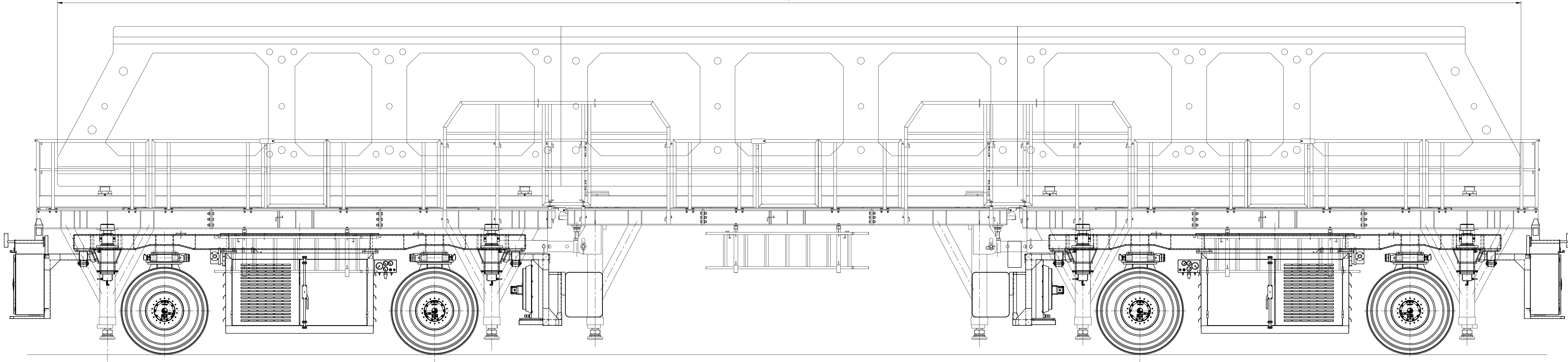
CLASS Nr. 3099 Originator: T45 Total weight [kg]: -

DEAL document n. set doc type group nr Rev. 01

Project n.



19236

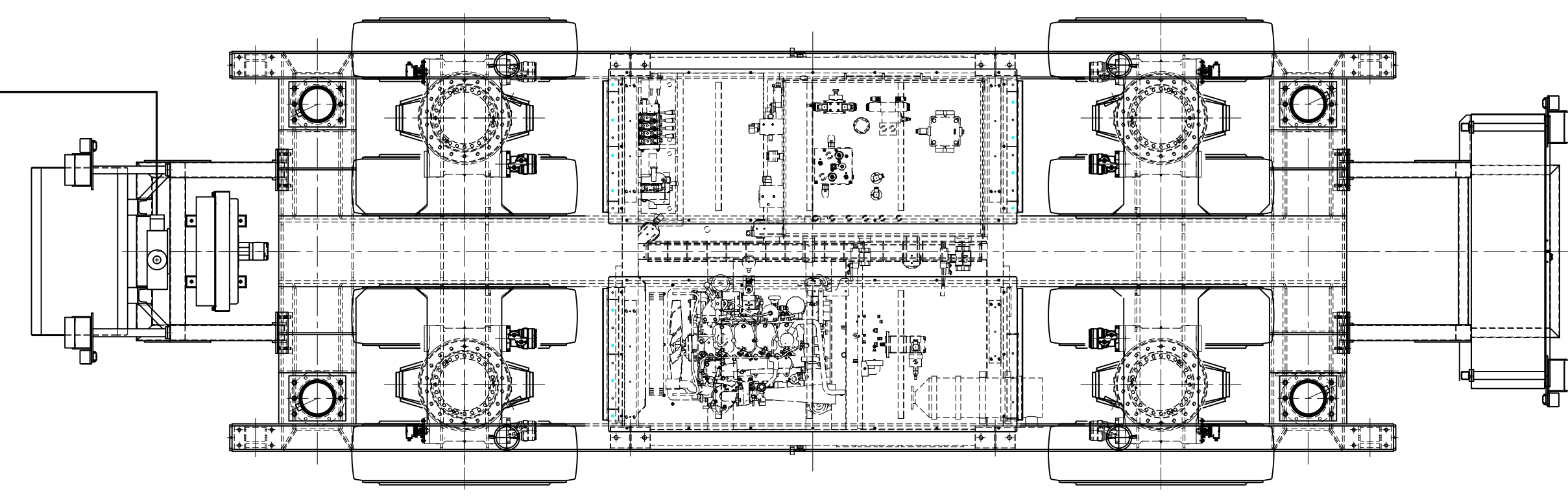
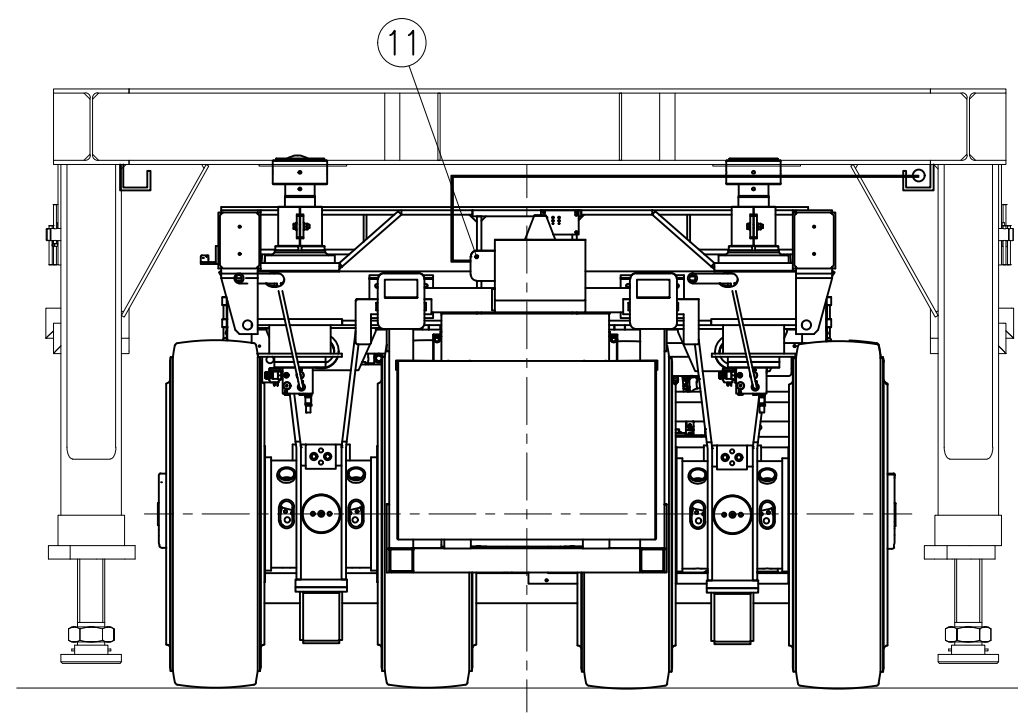
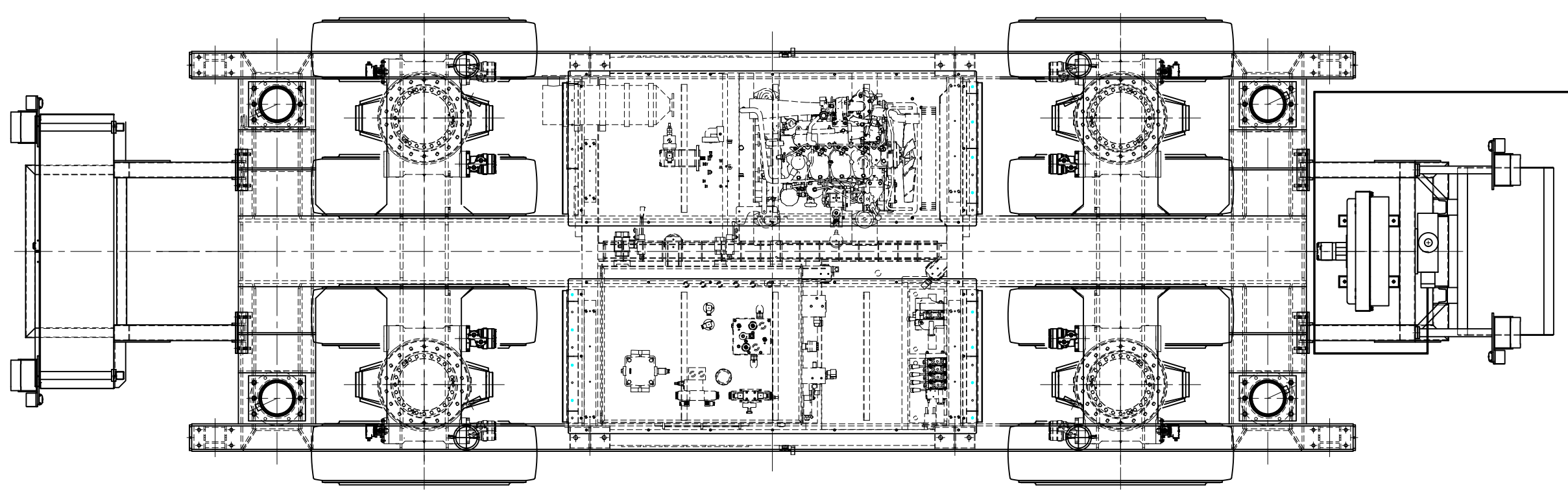


SLAVE  
FORWARD (IN TWIN MODE) →

9270

MASTER  
FORWARD →


CABLE FASTER CONNECTION



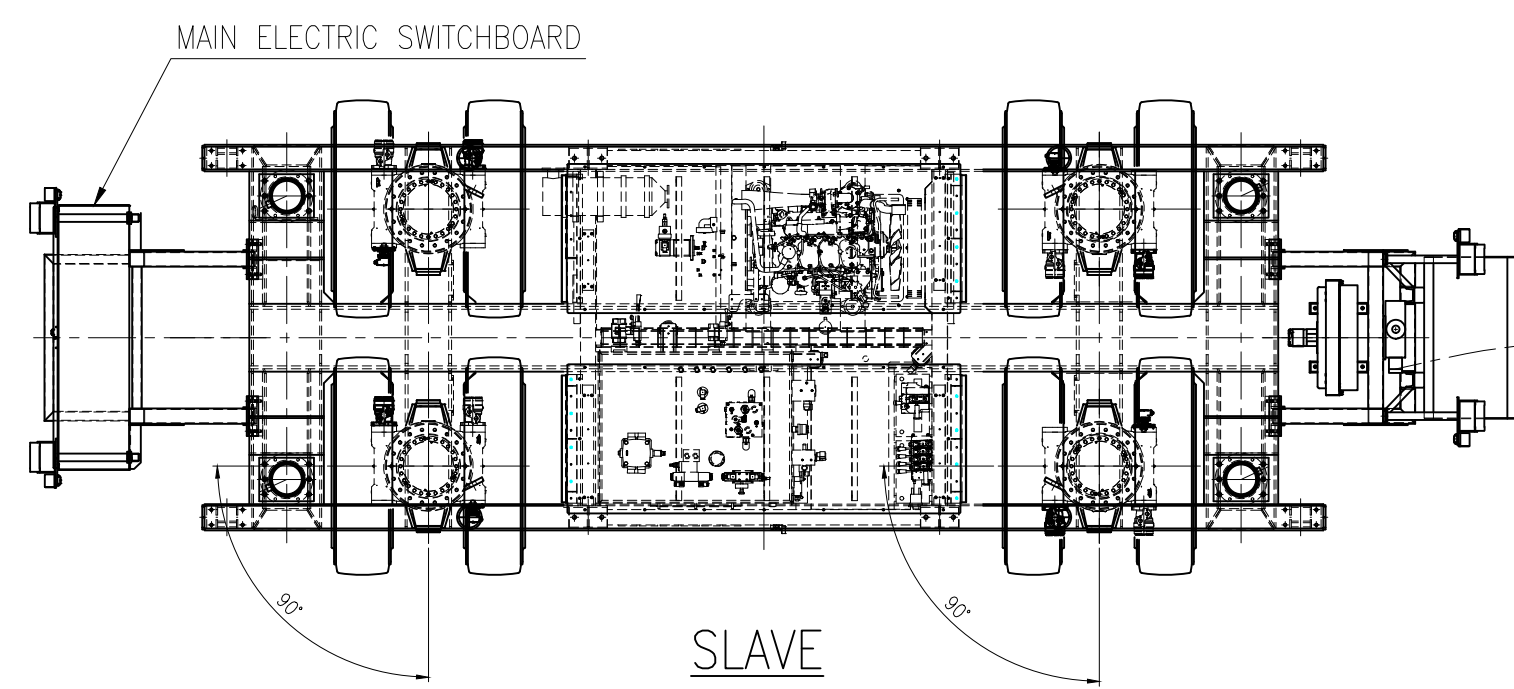
01	03/03/2022	RENAMED ASSEMBLY	chiave	parola	parola
00	24/11/2021	FIRST ISSUE	Spic	parola	parola
No.	DATE	ISSUE	DRW.	CHK.	APP.

PROJECT:

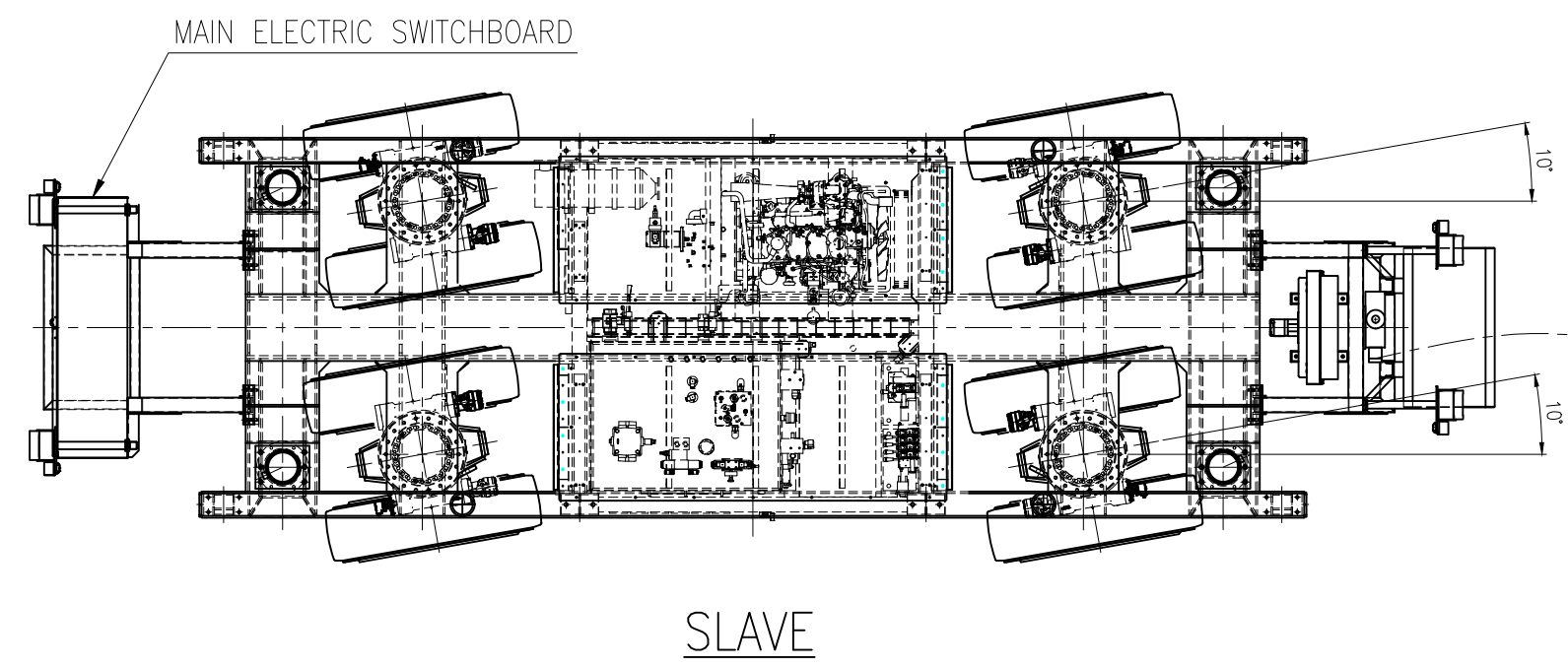
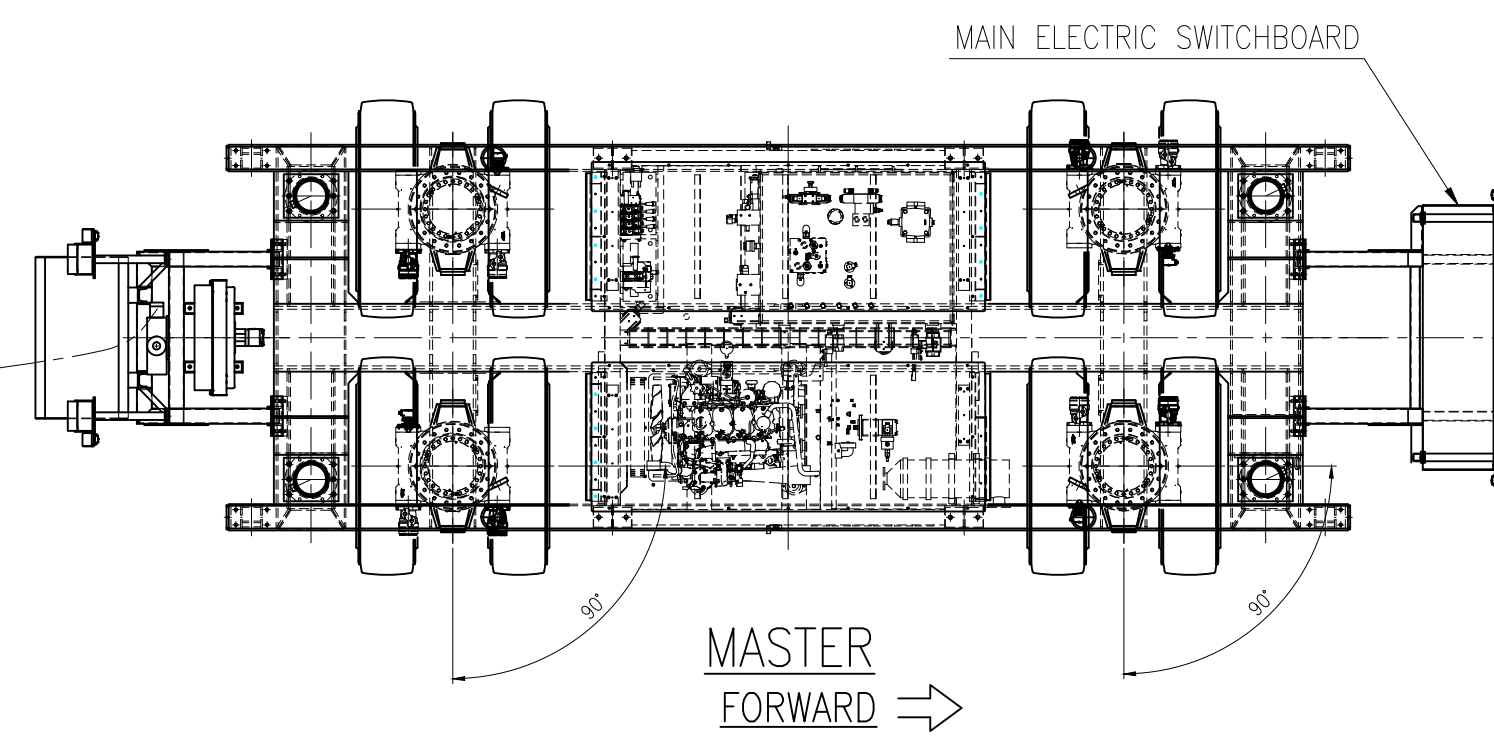
TITLE:  
SEGMENT TRANSPORTER GENERAL ASSEMBLY

 Sede e Stabilimento Via Bultrio-Frazione Carnagacco 33050-Pozzuolo del Friuli (UD)-Italy Tel.: +39 0432 607 900 Fax.: +39 0432 607 902 e-mail: deal@deal.it	Scale	1:25	Drawing format	A1	Sheet	2	Of	3
	CLASS Nr.	3099	Originator:	T45	Total weight [kg] : —			
	DEAL document n.	set	doc type	group	nr	Rev.		
	T45DU GD 0 001					01		
Project n.								

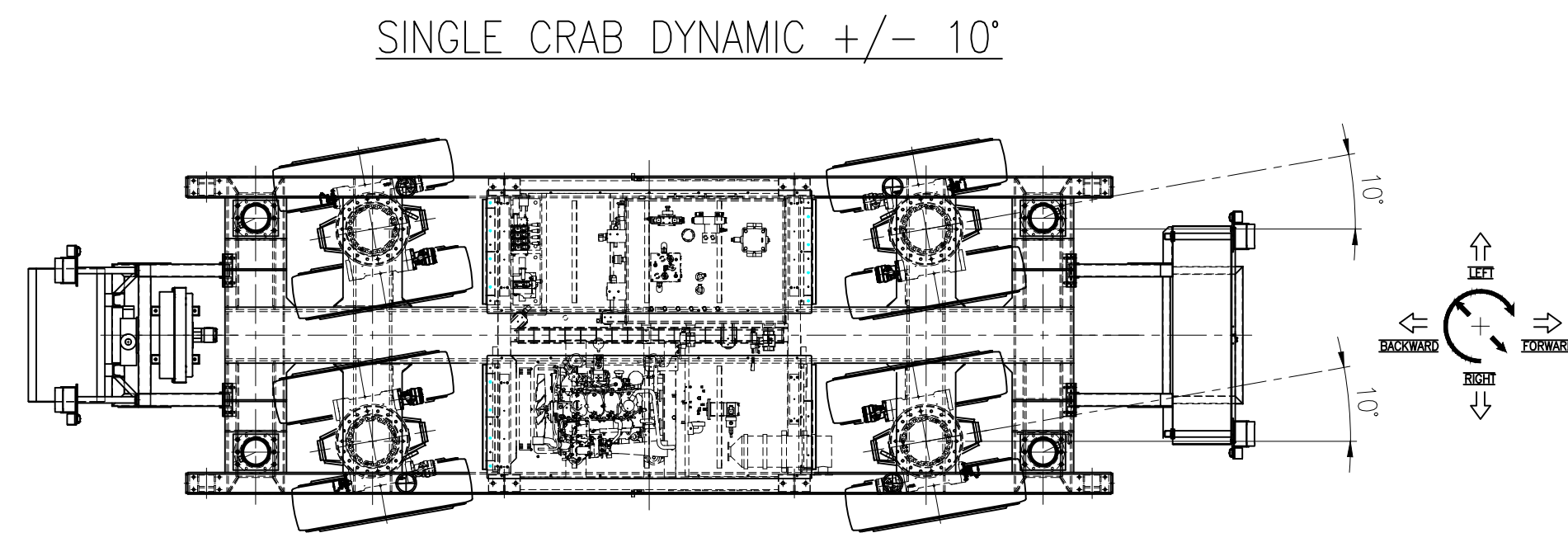
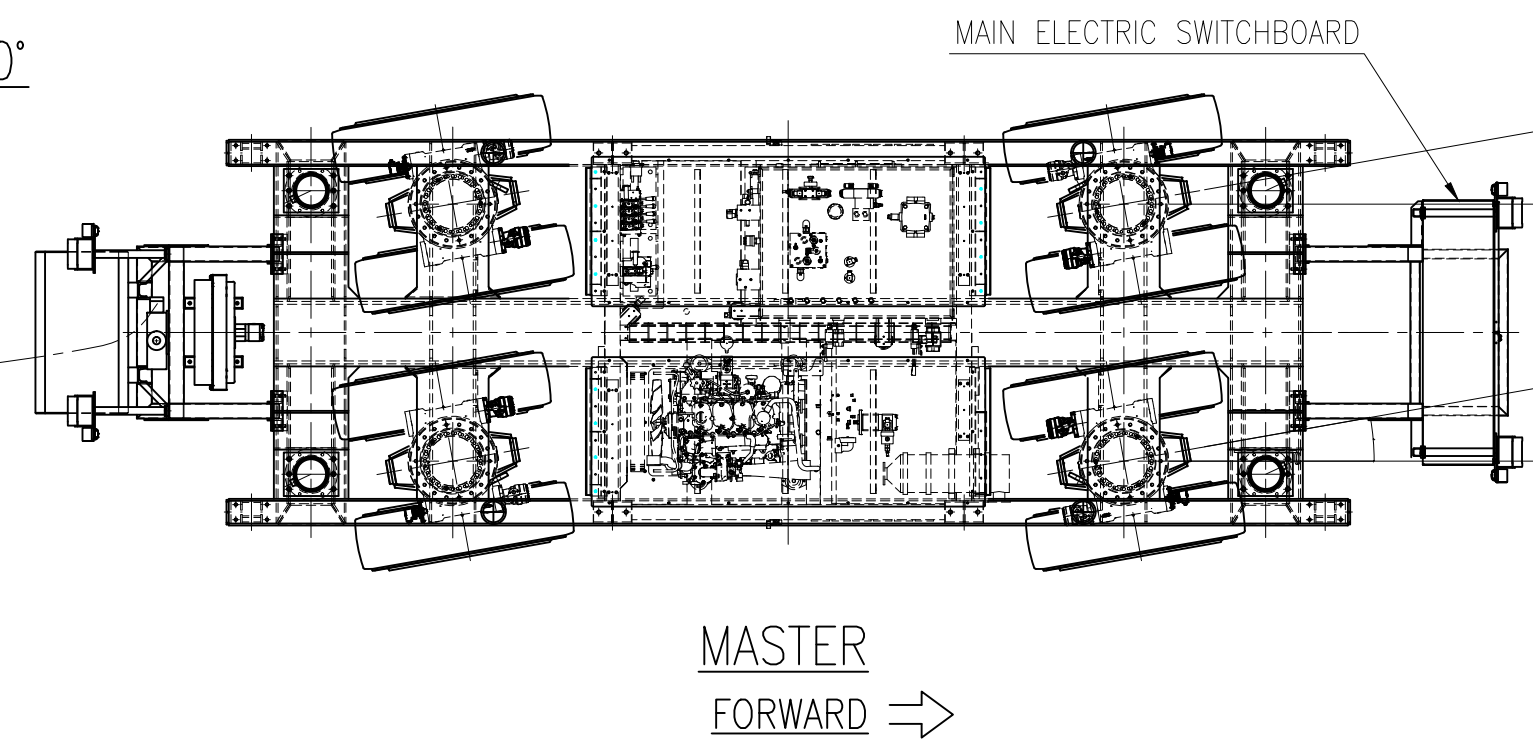




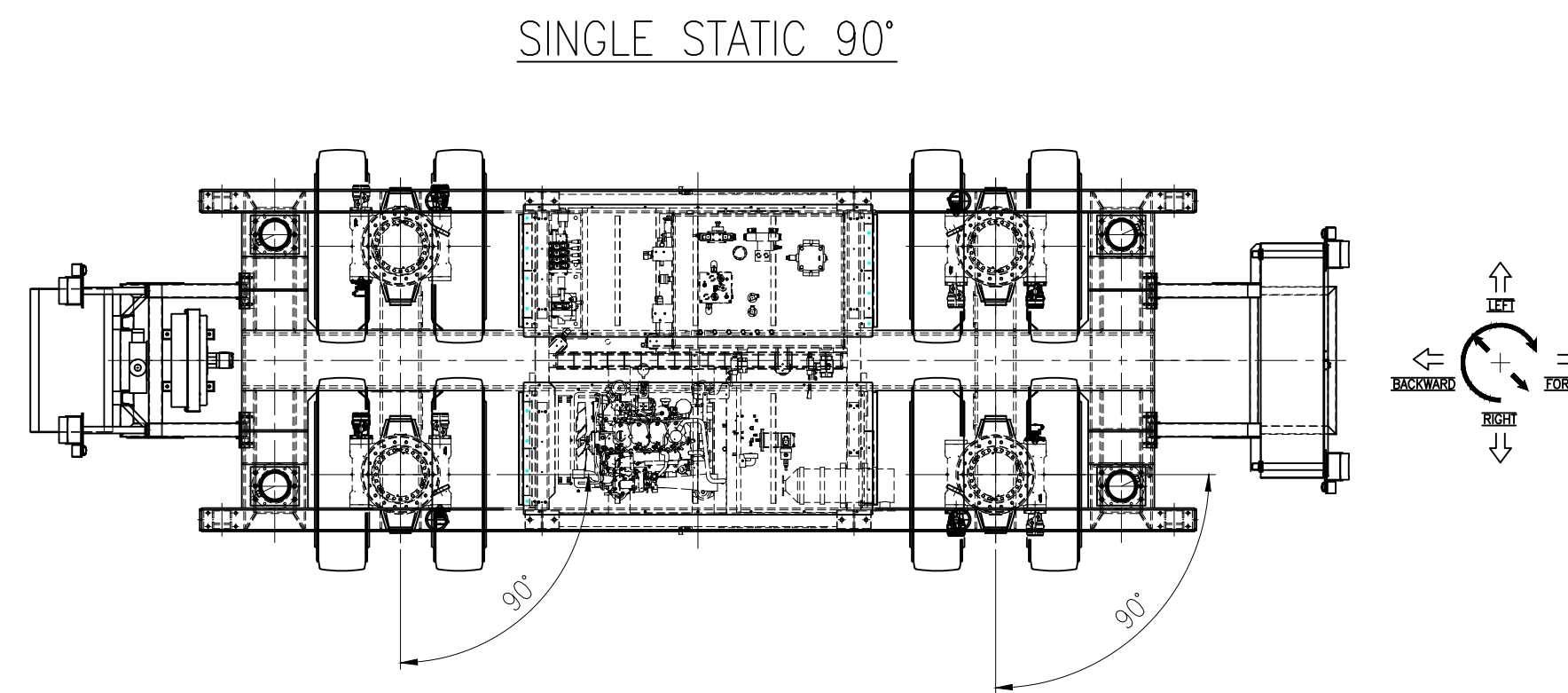
TWIN 90° - STATIC



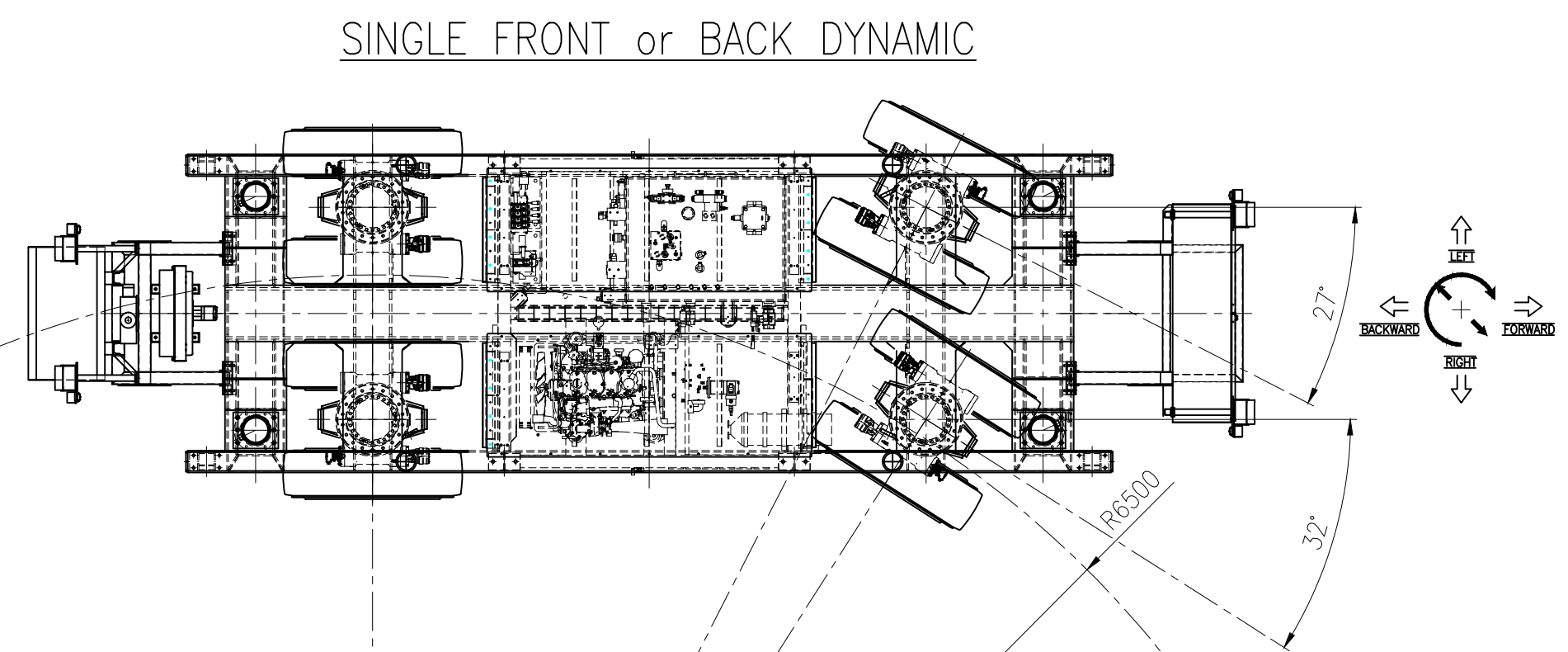
TWIN CRAB DYNAMIC +/- 10°



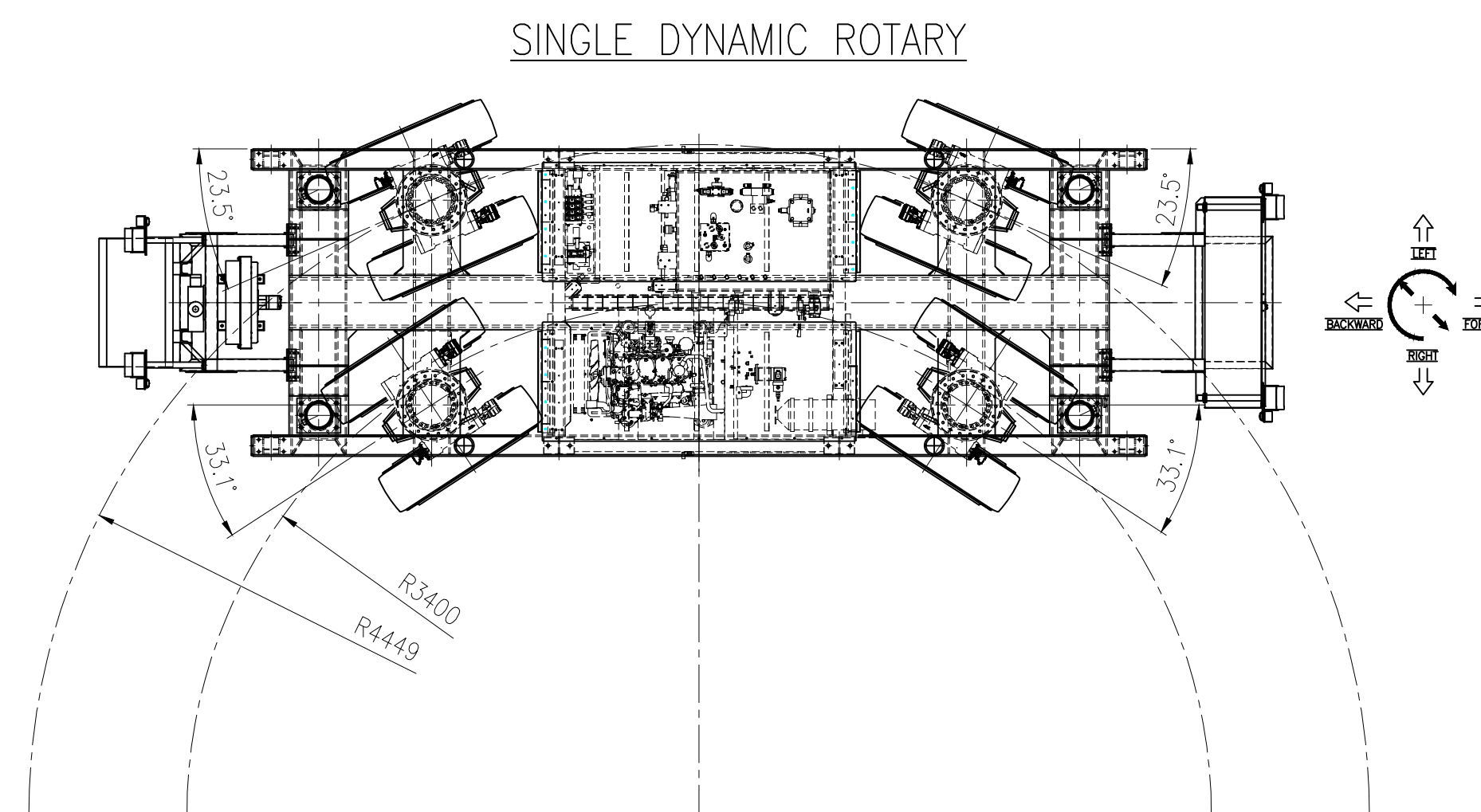
SINGLE CRAB DYNAMIC +/- 10°



SINGLE STATIC 90°



SINGLE FRONT or BACK DYNAMIC



SINGLE DYNAMIC ROTARY

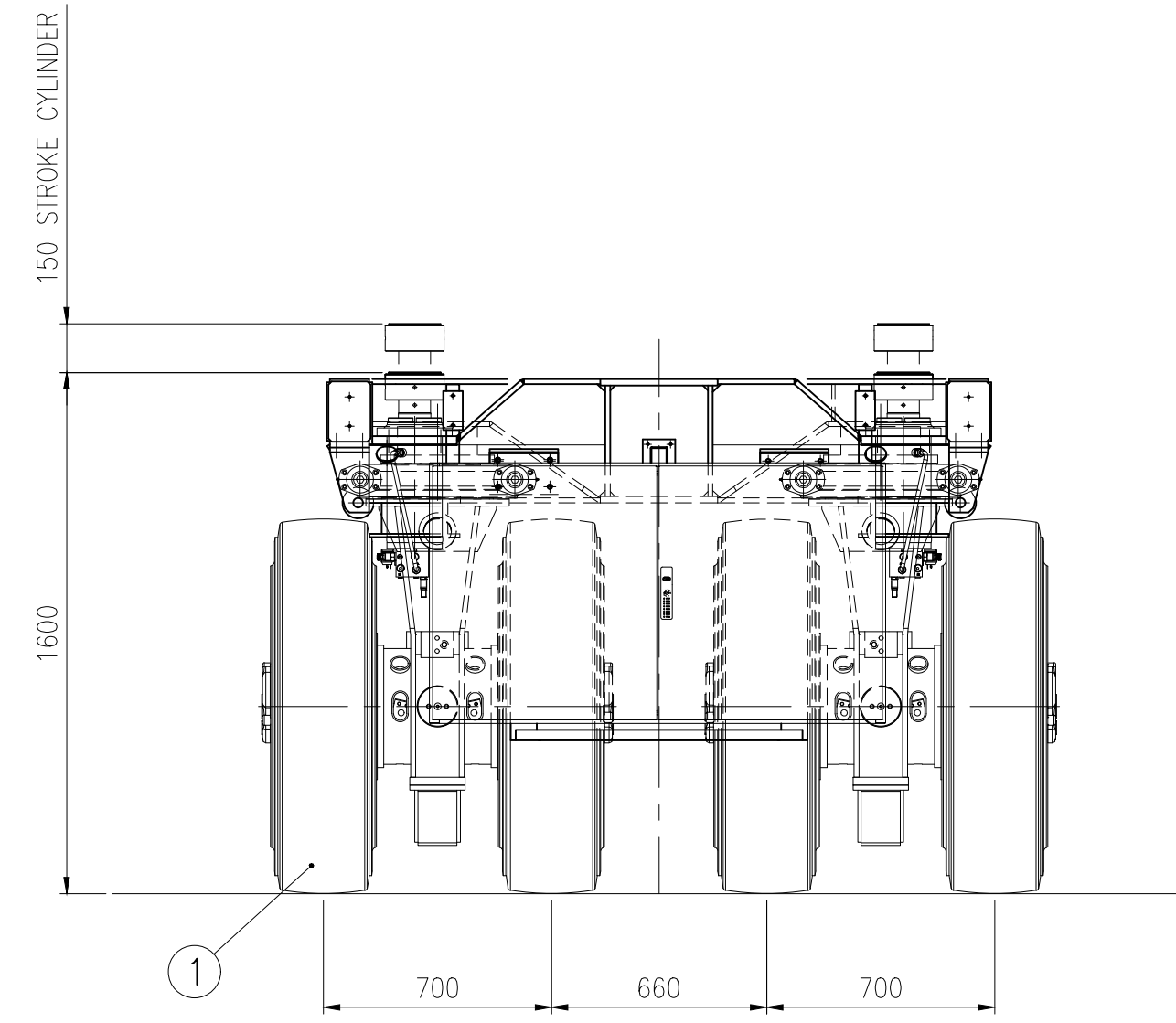
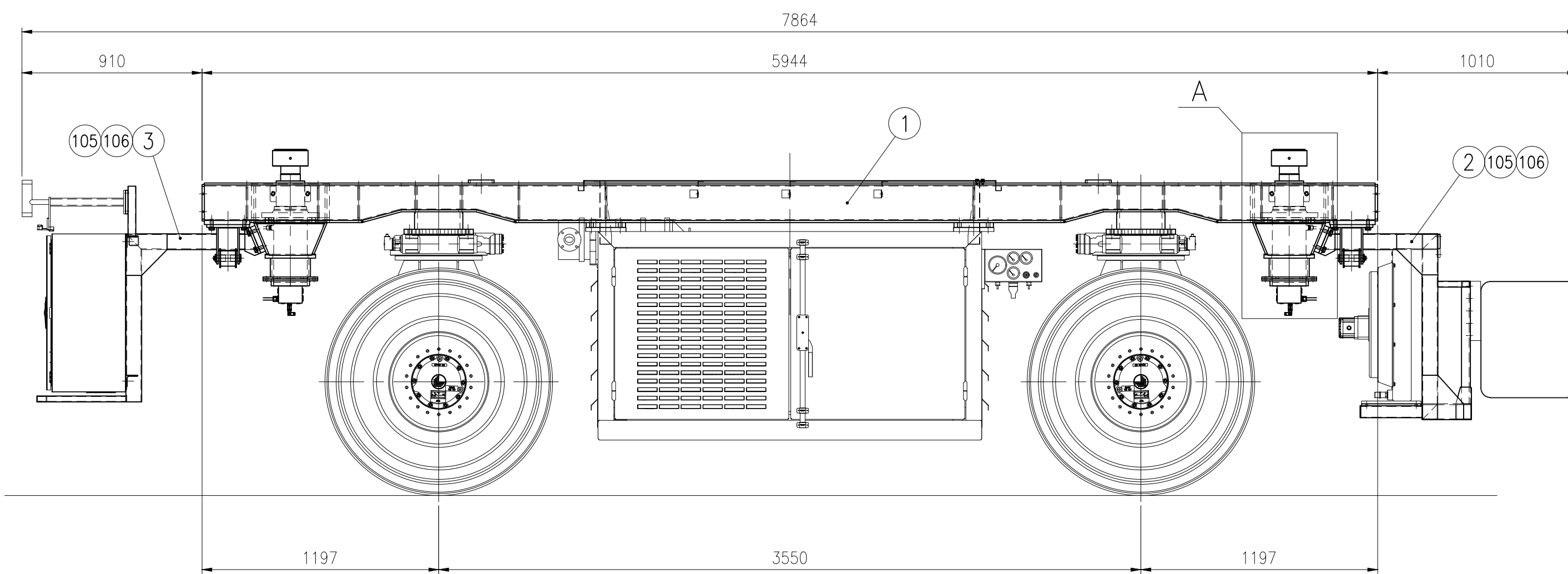
01	03/03/2022	RENAMED ASSEMBLY	chiave	parola	parola
00	24/11/2021	FIRST ISSUE	Spic	parola	parola
No.	DATE	ISSUE	DRW.	CHK.	APP.

PROJECT:

TITLE:  
SEGMENT TRANSPORTER GENERAL ASSEMBLY

 Sede e Stabilimento Via Bultrio-Frazione Carnagacco 33050-Pozzuolo del Friuli (UD)-Italy Tel.: +39 0432 607 900 Fax.: +39 0432 607 902 e-mail: deal@deal.it	Scale	1:40	Drawing format	A1	Sheet	3	Of	3
	CLASS Nr.	3099	Originator:	T45	Total weight [kg] : -			
	DEAL document n.	set	doc type	group	rr	Rev.		
Project n.		T45DU	GD	0	001	01		





NUMBER OF T45 TO FRABRICATE = 4  
EACH WINCH GANTRY MUST BE MARKED WITH A DIFFERENT LETTER (A-B-C-D)

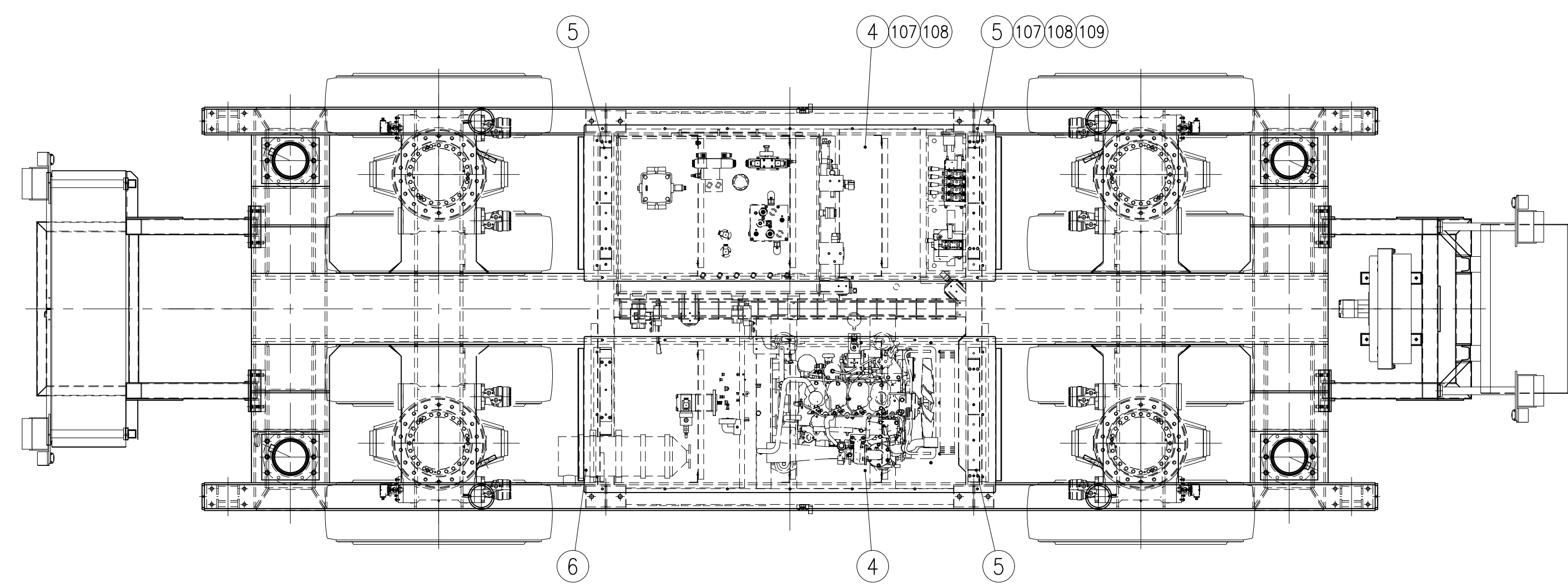
QUANTITY IN THE BILL OF MATERIAL ARE FOR ONE UNIT.  
UNIT WEIGHT = 3510 Kg  
NUMBER OF UNITS FOR EACH EQUIPMENT = 1  
TOTAL WEIGHT = 3510 Kg  
MANUFACTURE FOR 4 EQUIPMENT.

COLOR	
ENAMEL	RAL
YELLOW	1007
BLUE	5017
WHITE GRAY	9002
RED	3000

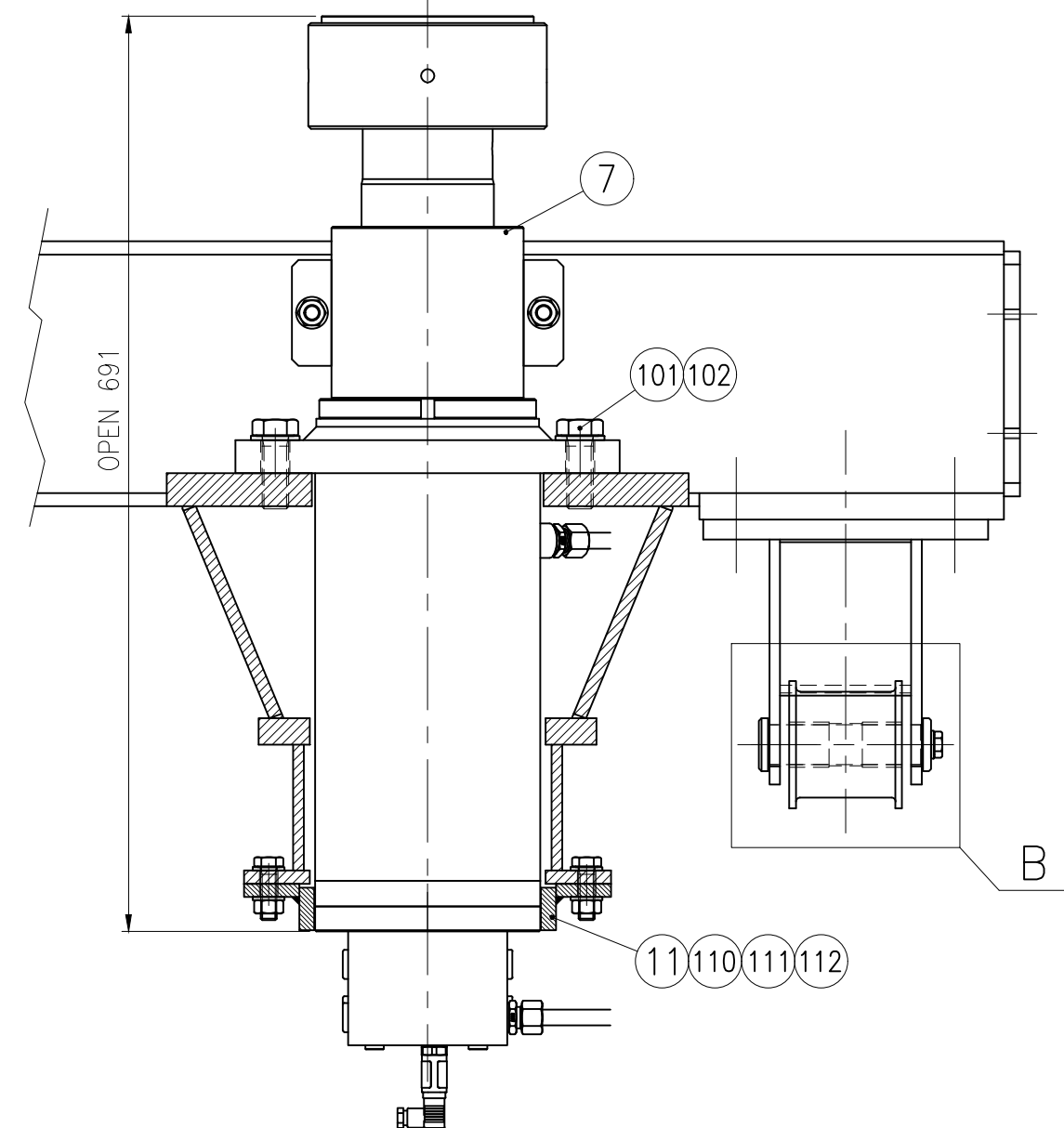
For paint cycle refer to general specification T45DUST001

**GENERAL CONSTRUCTION REQUIREMENTS**  
For general construction requirements refer to document n. T45DUST001

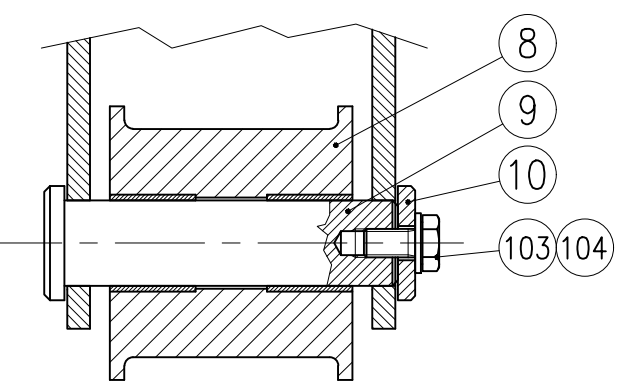
(\*) = ONLY PROTECTION AGAINST RUST FOR BOLTED SURFACES  
(\*\*) = ONLY TECTYL ON MACHINING SURFACES



DETAIL A  
SCALE 1:5



DETAIL B  
SCALE 1:2.5



POS.	Q.TY	DESCRIPTION	COD	UNIT	WEIGHT	TOT.	NOTES
112	24	NUT M12 ISO 4032 CL 8		0.399	0.017	0.4	-
111	24	WASHER 12x24 ISO 7089 CL 200HV		0.399	0.006	0.14	-
110	24	SCREW M12x40 ISO 4017 CL 8.8		0.399	0.047	1.13	-
109	24	NUT M8 ISO 4032 CL 8		0.399	0.005	0.06	-
108	91	WASHER 8.4x16 ISO 7089 CL 200HV		0.399	0.002	0.18	-
107	67	SCREW M8x20 ISO 4017 CL 8.8		0.399	0.014	0.1	-
106	16	WASHER 17x30 ISO 7089 CL 200HV		0.399	0.011	0.18	-
105	16	SCREW M16x40 ISO 4017 CL 8.8		0.399	0.088	1.4	-
104	4	WASHER 10.5x21 ISO 7089 CL 200HV		0.399	0.004	0.016	-
103	4	SCREW M10x20 ISO 4017 CL 8.8		0.399	0.022	0.1	-
102	24	WASHER 21x37 ISO 7089 CL 200HV		0.399	0.017	0.4	-
101	24	SCREW M20x55 ISO 4017 CL 8.8		0.399	0.187	4.5	-

POS.	Q.TY	DESCRIPTION	MARK	DRAWING N°	UNIT WEIGHT	TOT. WEIGHT	COLOR	NOTES
11	4	BUSHING	T45-A-013	T45DUCDA014	4.5	18	YELLOW	(*)
10	4	ROLLER WASHER	T45-A-012	T45DUCDA013	0.05	0.2	YELLOW	(*)
9	4	ROLLER PIN	T45-A-011	T45DUCDA012	0.75	3	YELLOW	(*)
8	4	ROLLER	T45-A-010	T45DUCDA011	3	12	YELLOW	(*)
7	4	CYLINDER	T45-A-007	T45DUCDA007	88	352	RED	(*)
6	1	LATERAL PROTECTION MUFFLER	T45-A-006	T45DUCDA006	5	5	YELLOW	(*)
5	3	LATERAL PROTECTION	T45-A-005	T45DUCDA005	6	18	YELLOW	(*)
4	2	UPPER PROTECTION	T45-A-004	T45DUCDA004	33	66	YELLOW	(*)
3	1	ELECTRICAL PANEL SUPPORT FRAME	T45-A-003	T45DUCDA003	54	54	YELLOW	(*)
2	1	TANK SUPPORT FRAME	T45-A-002	T45DUCDA002	71	71	YELLOW	(*)
1	1	TRASPORTER FRAME	T45-A-001	T45DUCDA001	2905	2905	YELLOW	(*)

POS.	Q.TY	DESCRIPTION	MARK	DRAWING N°	UNIT WEIGHT	TOT. WEIGHT	COLOR	NOTES
01		10/11/2021 REVISED WHERE INDICATED					SPIC	parola parola
00		05/11/2021 FIRST ISSUE					SPIC	parola parola

No.	DATE	ISSUE	DRW.	CHK.	APP.

PROJECT: \_\_\_\_\_  
TITLE: **STRUCTURE GROUP**

<p>Sede e Stabilimento Via Bultrio-Frazione Carpiocco 33050-Fozzolo del Friuli (UD)-Italy Tel.: +39 0432 607 900 Fax: +39 0432 607 902 e-mail: deal@deal.it</p>	Scale 1:5	Drawing format A1	Sheet 1	Of 1
	CLASS Nr. 2099	Originator: T45	Total weight [kg]: 3510	
DEAL document n. set	doc type	group	nr	Rev.
T45DU	AD	A	001	01
Project n.				

ALL RIGHTS RESERVED INCLUDING THE RIGHT TO REPRODUCE OR TO DISCLOSE TO THIRD PARTIES THIS DRAWING OR POSITION THERE OF WITHOUT DEAL WRITTEN AUTHORIZATION