

VIEW A  
SCALE: 1 : 100

DETAIL B  
SCALE: 1 : 10

CLIENT'S APPROVAL  
SIGNATURE: *[Signature]* DATE: 8-8-19  
NAME IN BLOCK LETTERS: Luke Brown POSITION: Mech Eng.

**WHEEL LOADING ( AS 1418.1 )**

| VERTICAL                    |        | LATERAL ( ACROSS RAIL ) |         |
|-----------------------------|--------|-------------------------|---------|
| - MIN STATIC                | 77 kN  | - INERTIA ( Phb21 )     | ± 12 kN |
| - MAX STATIC                | 310 kN | - INERTIA ( Pc )        | 5.5 kN  |
| - MAX DYNAMIC               | 355 kN | - SKEWING ( Y21 )       | 47 kN   |
| LONGITUDINAL ( ALONG RAIL ) |        | - SKEWING ( Y11 )       | 12 kN   |
| - INERTIA ( Tr )            | 28 kN  |                         |         |
| - BUFFER FORCE              | 66 kN  |                         |         |

**TECHNICAL SPECIFICATIONS**

- CRANE BRIDGE**  
 RATED CAPACITY: 50t MRC  
 CRANE SPAN: 14510 mm  
 CRANE TYPE/MODEL: ZLK  
 MANUFACTURER: EILBECK CRANES  
 STRUCTURAL CLASS: S4 (AS 1418.1)  
 CRANE SPEED: 45-4 m/min (VSD)  
 RUNWAY LENGTH: 48 m  
 STRUCTURAL PAINTING: EC SYSTEM E1 - GOLDEN YELLOW Y14  
 CRANE STRUCTURE WEIGHT: 18800 kg (w/o HOISTS)
- MAIN HOIST**  
 HOIST CAPACITY: 50 t  
 MODEL: ES80125.25.4/2.60.1Z.315.20  
 MANUFACTURER: EILBECK CRANES  
 MECHANISM CLASS: M5 (AS1418)  
 LIFTING SPEED (AVERAGE): 32 - 1.2 m/min  
 HOOK DROP: 45 m  
 CRAB SPEED (CT): 20 - 2 m/min (VSD)  
 PAINTING: EC SYSTEM H1  
 CRAB WEIGHT: 11450 kg
- GENERAL:**  
 GROUP CLASS: C5 (AS 1418.1)  
 CONTROL: RADIO CONTROL  
 POWER DEMAND: 230 kW  
 SUPPLY VOLTAGE: 415V / 50Hz / 3PH+E  
 CONTROL VOLTAGE: 24 VDC  
 OPERATING LOCATION: INDOORS  
 PROTECTION TYPE: IP55  
 AMBIENT TEMPERATURE: 5-40°  
 TOTAL CRANE WEIGHT: 29600 kg  
 EC SERIAL No.: 30323

FRANKLIN WEST STATION

ELEVATION  
SCALE: 1 : 150

| REV | DATE       | DESCRIPTION  | DRN | CHK | APP |
|-----|------------|--|-----|-----|-----|
| 2   | 5/08/2019  | MOVED POWER CHAIN TO NORTH SIDE BLDG.  | MS  | DL. | DL. |
| 1   | 29/07/2019 | PLATFORM WIDTH TO 1200 mm, PENDANT WAS FIXED, CRANE SPEED WAS 40-4 m/min, DAVIT MOUNTING ADDED | MS  | DL. | DL. |

**DESIGN REFERENCES**

|                |                 |
|----------------|-----------------|
| STRUCTURAL REF | 35806-EDC-800_0 |
| STRUCTURAL BY  | NB.             |
| REGO BODY      |                 |
| MECHANICAL     | AH.             |
| ELECTRICAL     | AW.             |

**APPROVAL FOR CONSTRUCTION**

|          |            |
|----------|------------|
| CHECKED  | DL.        |
| APPROVED | DL.        |
| DATE     | 24/07/2019 |
| SIGNED   |            |

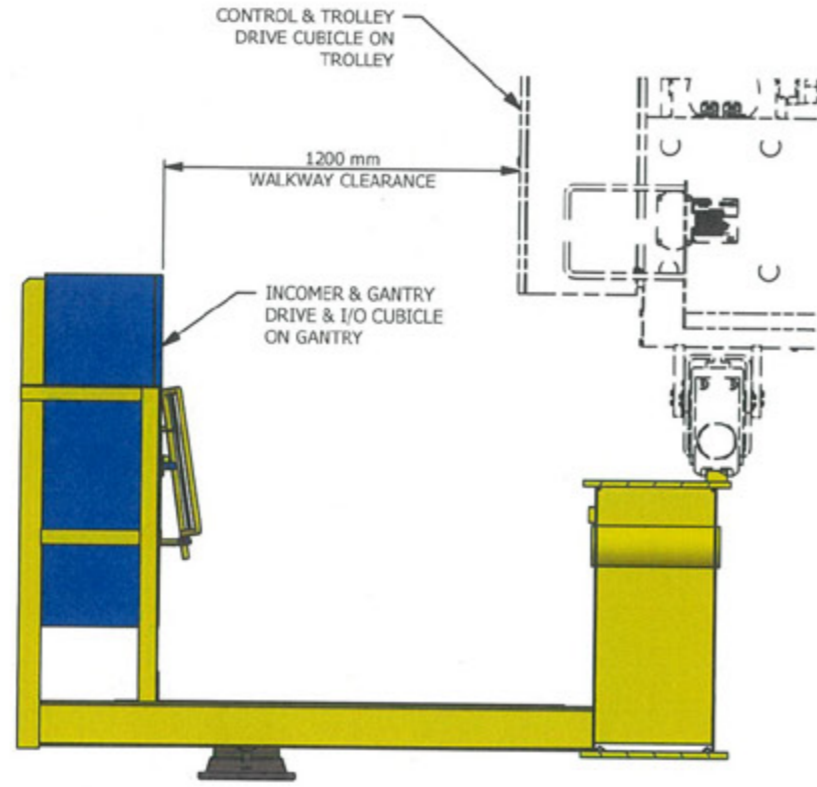
CLIENT: CROSS YARRA PARTNERSHIP  
 PROJECT: MELBOURNE METRO TUNNEL  
 EQUIP. ID: CN-800-FWST



DWG TITLE: 50t DOUBLE GIRDER CRANE 'ZLK' FRANKLIN WEST STATION CRANE GENERAL ARRANGEMENT (1 / 2)

|           |      |       |               |     |
|-----------|------|-------|---------------|-----|
| REG. CODE | SIZE | UNITS | DWG NO        | REV |
|           | A3   | mm    | 35806-DMS-800 | 2   |

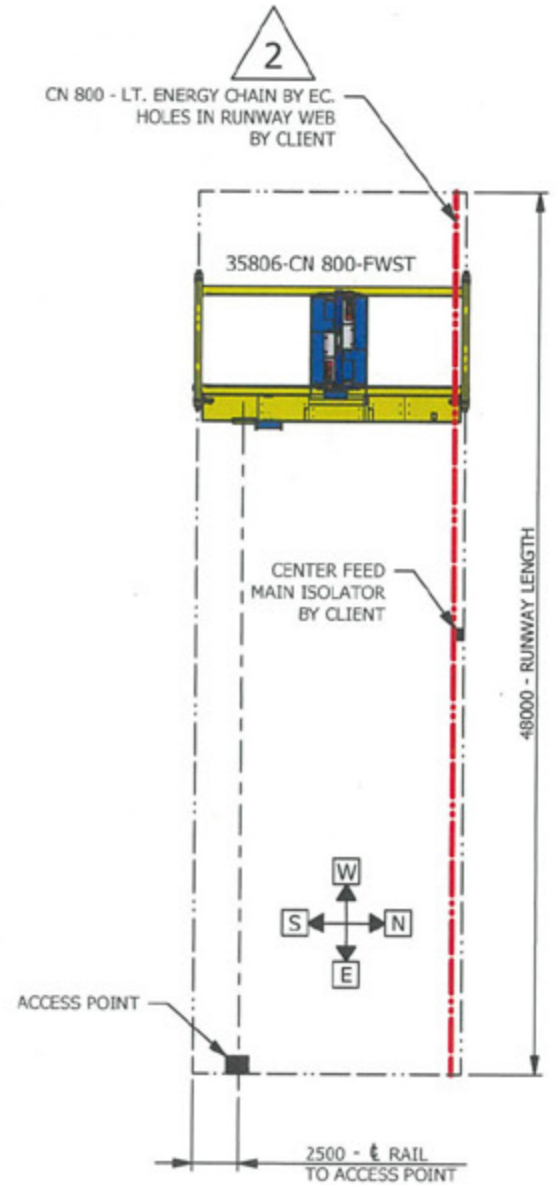
FILE LOCATION: C:\VAULT\Production\3000-VIC\35800-MMT\35806-FWST\Drawings\35806-DMS-800 - CRANE GENERAL ARRANGEMENT.dwg



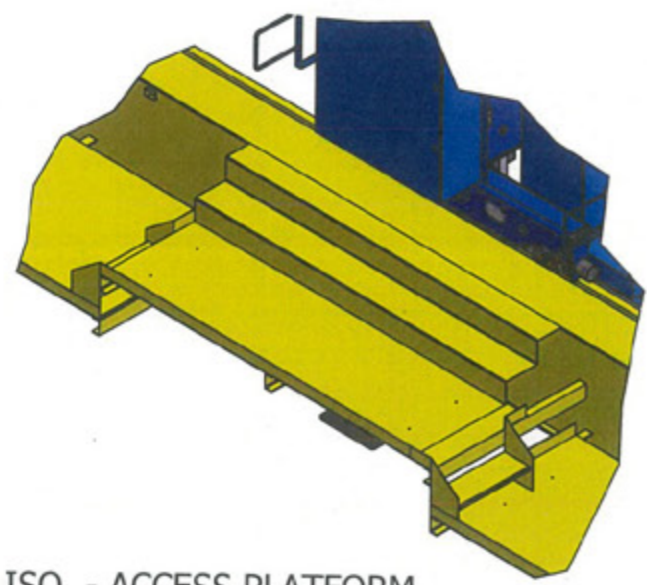
SECTION C-C  
SCALE: 1 : 25

CLIENT'S APPROVAL

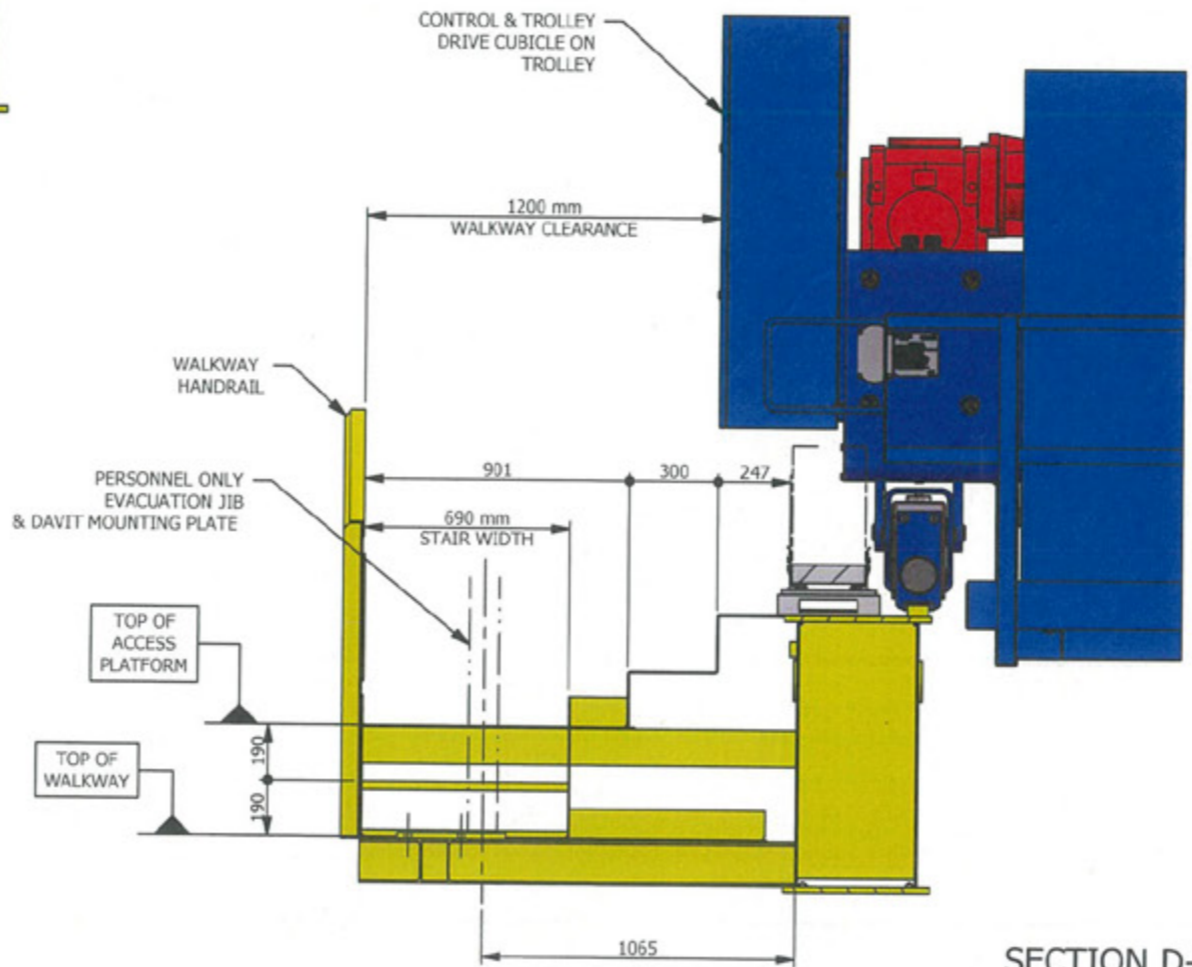
*[Signature]* 8-8-19  
 SIGNATURE DATE  
*[Signature]* MACH EUG.  
 NAME IN BLOCK LETTERS POSITION



BUILDING PLAN  
SCALE: NTS



ISO. - ACCESS PLATFORM  
SCALE: 1 : 50  
HANDRAILS HIDDEN FOR CLARITY



SECTION D-D  
SCALE: 1 : 25

|  |      |  |               |   |  |   |  |  |  |
|--|------|--|---------------|---|--|---|--|--|--|
| <b>DESIGN REFERENCES</b><br>STRUCTURAL REF 35806-EDC-800_0<br>STRUCTURAL BY NB.<br>REGO BODY<br>MECHANICAL AH.<br>ELECTRICAL AW. |      | <b>APPROVAL FOR CONSTRUCTION</b><br>CHECKED DL.<br>APPROVED DL.<br>DATE 24/07/2019<br>SIGNED |               | CLIENT: CROSS YARRA PARTNERSHIP<br>PROJECT: MELBOURNE METRO TUNNEL<br>EQUIP. ID: CN-800-FWST<br><br><br><small>copyright by Eilbeck Cranes www.eilbeckcranes.com.au</small> |  | <b>DWG TITLE</b><br>50t DOUBLE GIRDER CRANE 'ZLK'<br>FRANKLIN WEST STATION<br>CRANE GENERAL ARRANGEMENT (2 / 2) |  |  |  |
| REG. CODE  | SIZE | UNITS  | DWG NO        | REV   |  |   |  |  |  |
|  | A3   | mm   | 35806-DMS-800 | 2   |  |   |  |  |  |

FILE LOCATION: C:\YALL\Production\3000-VIC\35800-MMT\35806-MMT\Franklin West\35806-DMS-800-DRAWINGS\35806-DMS-800-CRANE GENERAL ARRANGEMENT.dwg