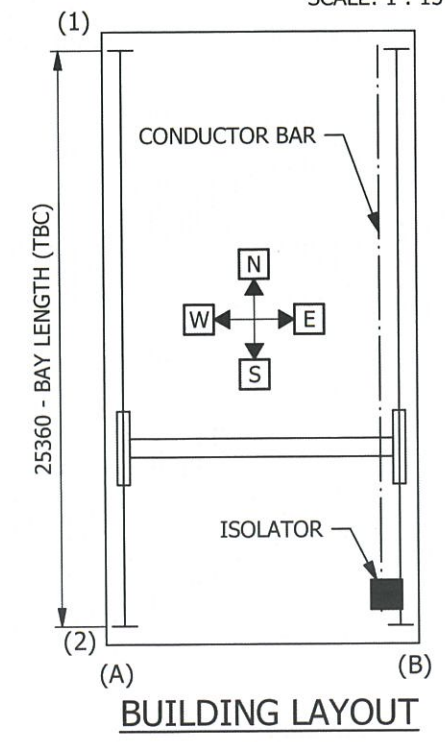


NOTE:
 1. CRANE RAILS & RUNWAYS TO BE INSTALLED AS PER AS: 1418-2002 FOR LEVEL & ALIGNMENT REQUIREMENTS.
 2. LOCATION OF MAIN ISOLATOR AND ORIENTATION OF CONDUCTOR BARS TO BE CONFIRMED BY CLIENT.



TECHNICAL DATA

CRANE CAPACITY	: 12500 kg
HOIST MANUFACTURER	: ABUS
HOIST MODEL	: GM3100 L162.41.10000.4.E 160.20
LIFTING SPEED	: 0.7/4 m/min (DOL)
CRAB SPEED	: 5-20 m/min (DOL)
CRANE SPEED	: 10-40 m/min (DOL)
MAX. POWER DEMAND	: 7.6 kW
PAINT (CRANE)	: EC'S SYSTEM-YELLOW
PAINT (PROP. ITEMS)	: ABUS SYSTEM C2
CRANE CLASS	: C4 to AS1418
HOIST CLASS	: M3 to AS1418
SUPPLY VOLTAGE	: 415V/3Ph./50Hz.
CONTROL VOLTAGE	: 48V AC
CRANE MASS	: 2580 kg
HOIST MASS	: 700 kg
TOTAL MASS	: 3280 kg
LOCATION	: INDOORS
EC'S SR NO	: 6650
ABUS O/C NO	: FU36010297

WHEEL LOADING

VERTICAL		LATERAL (ACROSS RAIL)	
MIN STATIC	: 6.7 kN	INERTIA (PHB21)	: 3.5 kN
MAX STATIC	: 66.7 kN	SKEWING (Y21)	: 10.8 kN
MAX DYNAMIC	: 73.8 kN	LONGITUDINAL (ALONG RAIL)	
		INERTIA	: 4.0 kN
		BUFFER FORCE	: 9.4 kN

CLIENT'S APPROVAL
 SIGNATURE: *Walter GAMBIS* DATE: 20/09/21
 NAME IN BLOCK LETTERS: **Walter GAMBIS** POSITION: **Plant.**

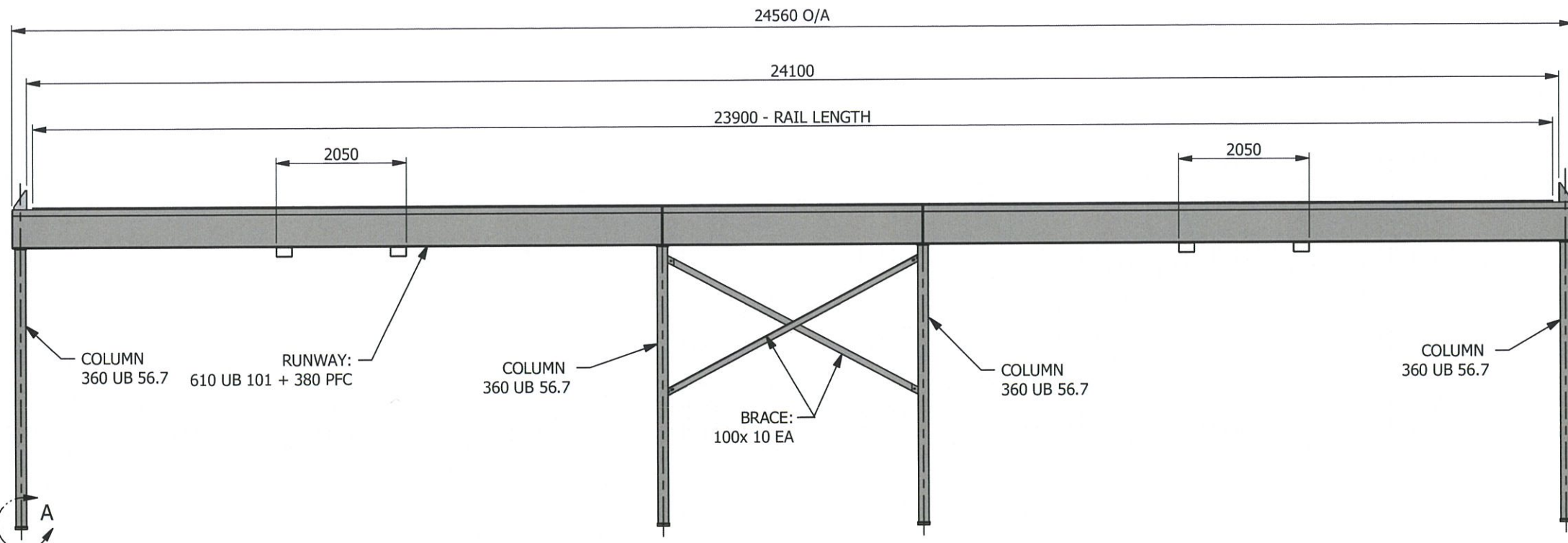
REV	DATE	DESCRIPTION	DRN	CHK	APP
D	20.08.21	CRANE COLOUR CHANGED GREEN TO YELLOW	EM	DL	DL
C	09.08.21	CHANGED CL TO EDGE OF COLOUMN 250 MM TO 209 MM	EM	DL	DL
B	03.08.21	SPAN, COMPASS, MID COLUM DIM CHANGED AS PER CLIENT	EM	DL	DL

DESIGN REFERENCES		APPROVAL FOR CONSTRUCTION	
STRUCTURAL REF	AS1418.1	CHECKED	DL
STRUCTURAL BY	AT	APPROVED	DL
REGO BODY		DATE	
MECHANICAL		SIGNED	Dion Liebenberg 2021.08.20 11:57:08 +10'00'
ELECTRICAL			

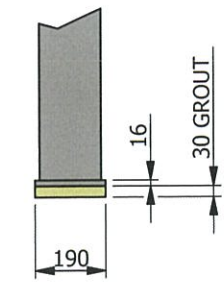
CLIENT: CYP.
 PROJECT: CYP ARDEN ST.
 EQUIP. ID: CN 100

Eilbeck CRANES
 copyright by Eilbeck Cranes www.eilbeckcranes.com.au

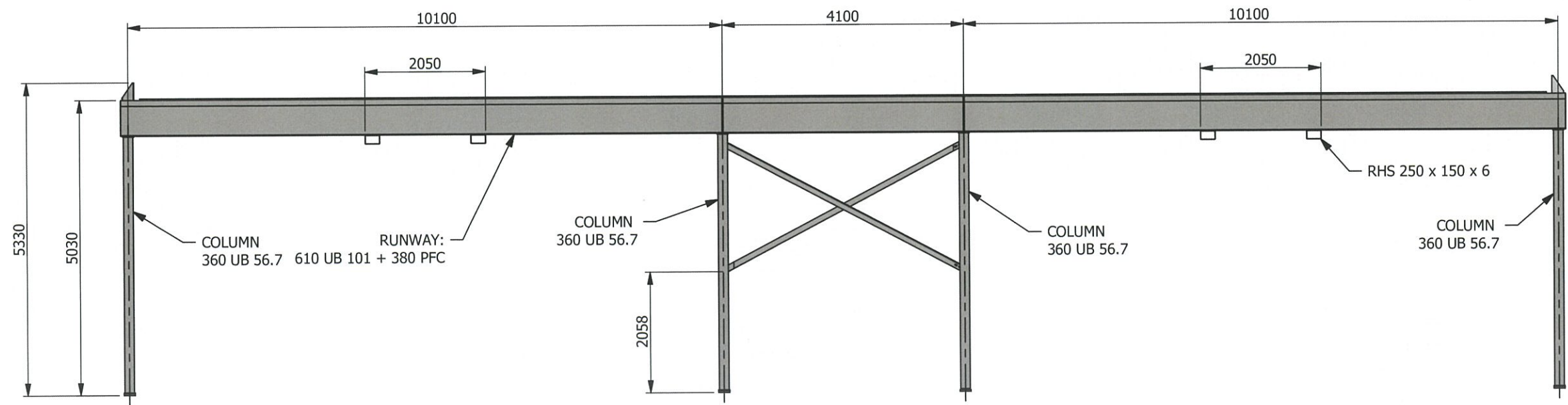
DWG TITLE			
12.5 T x 10.8 M SPAN SINGLE GIRDER CRANE 'ELK' ARRANGEMENT AND ASSEMBLY DRAWING			
GENERAL ARRANGEMENT (1 / 3)			
REG. CODE	SIZE	UNITS	DWG NO
	A3	mm	35811-DMS-100
			REV
			\ D



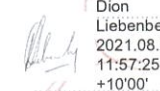


SECTION C-C
SCALE: 0.012 : 1
WEST SIDE



DETAIL A
SCALE: 0.05 : 1

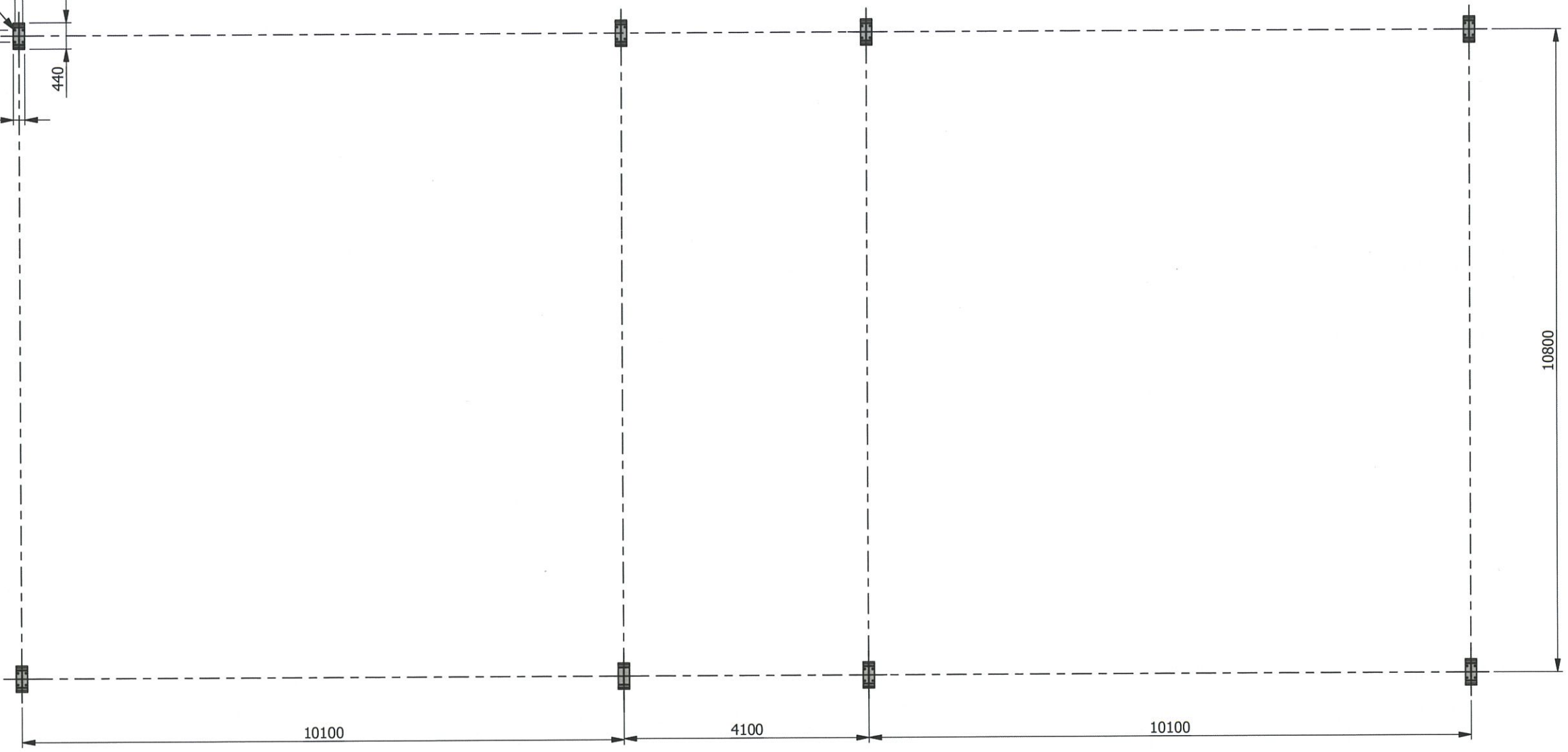
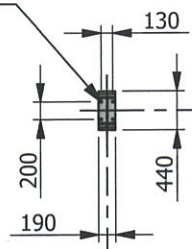


SECTION B-B
SCALE: 0.012 : 1
EAST SIDE

D	20.08.21	CRANE COLOUR CHANGED GREEN TO YELLOW	EM	DL	DL	DESIGN REFERENCES STRUCTURAL REF AS1418.1 STRUCTURAL BY AT REGO BODY MECHANICAL ELECTRICAL	APPROVAL FOR CONSTRUCTION CHECKED DL APPROVED DL DATE SIGNED  Dion Liebenberg 2021.08.20 11:57:25 +10'00'	CLIENT: CYP. PROJECT: CYP ARDEN ST. EQUIP. ID: CN 100	 	DWG TITLE 12.5 T x 10.8 M SPAN SINGLE GIRDER CRANE 'ELK' ARRANGEMENT AND ASSEMBLY DRAWING GENERAL ARRANGEMENT (2 / 3)				
C	09.08.21	CHANGED CL TO EDGE OF COLUMN 250 MM TO 209 MM	EM	DL	DL					REG. CODE	SIZE	UNITS	DWG NO	REV
B	03.08.21	SPAN, COMPASS, MID COLUMN DIM CHANGED AS PER CLIENT	EM	DL	DL					A3	mm	35811-DMS-100	\	D
A	28/07/2021	ISSUED FOR APPROVAL	EM	DL	DL									
REV	DATE	DESCRIPTION	DRN	CHK	APP									

copyright by Eilbeck Cranes www.eilbeckcranes.com.au

DRILL 28 x Ø22
HOLES THRU. ALL



SECTION D-D
SCALE: 0.012 : 1

DESIGN REFERENCES STRUCTURAL REF AS1418.1 STRUCTURAL BY AT REGO BODY MECHANICAL ELECTRICAL		APPROVAL FOR CONSTRUCTION CHECKED DL APPROVED DL DATE SIGNED 		CLIENT: CYP. PROJECT: CYP ARDEN ST. EQUIP. ID: CN 100  <small>copyright by Eilbeck Cranes www.eilbeckcranes.com.au</small>		DWG TITLE 12.5 T x 10.8 M SPAN SINGLE GIRDER CRANE 'ELK' ARRANGEMENT AND ASSEMBLY DRAWING GENERAL ARRANGEMENT (3 / 3)											
		DATE: Dion Liebenberg 2021.08.20 11:57:44 +10'00'				<table border="1"> <tr> <td>REG. CODE</td> <td>SIZE</td> <td>UNITS</td> <td>DWG NO</td> <td>REV</td> </tr> <tr> <td></td> <td>A3</td> <td>mm</td> <td>35811-DMS-100</td> <td>\ D</td> </tr> </table>		REG. CODE	SIZE	UNITS	DWG NO	REV		A3	mm	35811-DMS-100	\ D
REG. CODE	SIZE	UNITS	DWG NO	REV													
	A3	mm	35811-DMS-100	\ D													