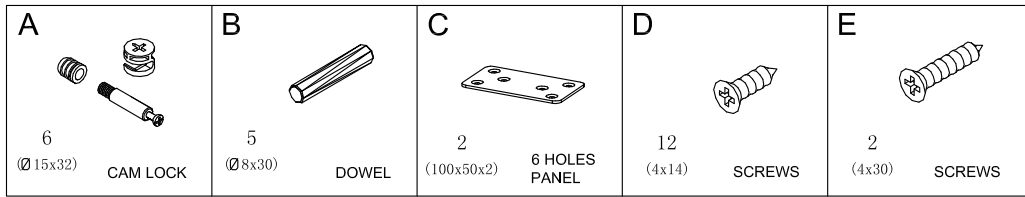
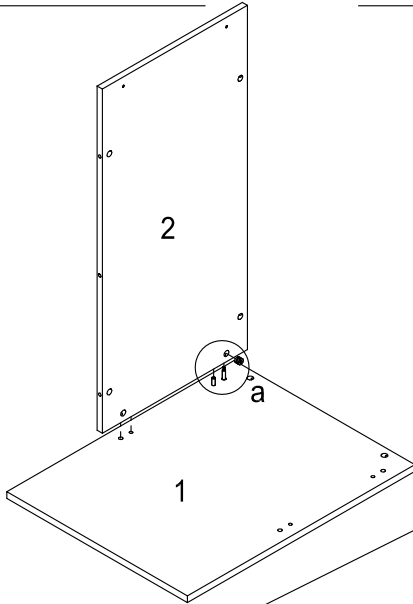


ASSEMBLY INSTRUCTIONS

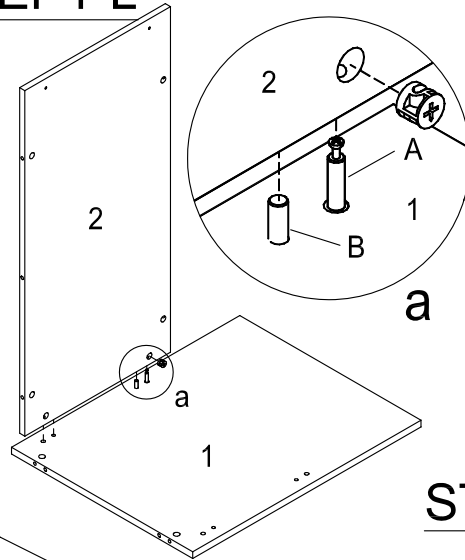
MODEL NO.:GNLRT9060



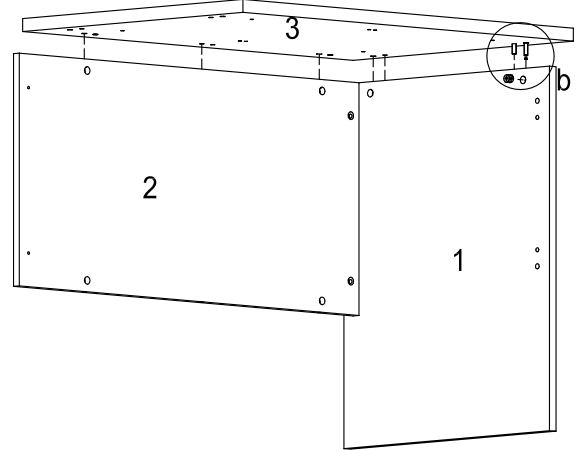
STEP1-R



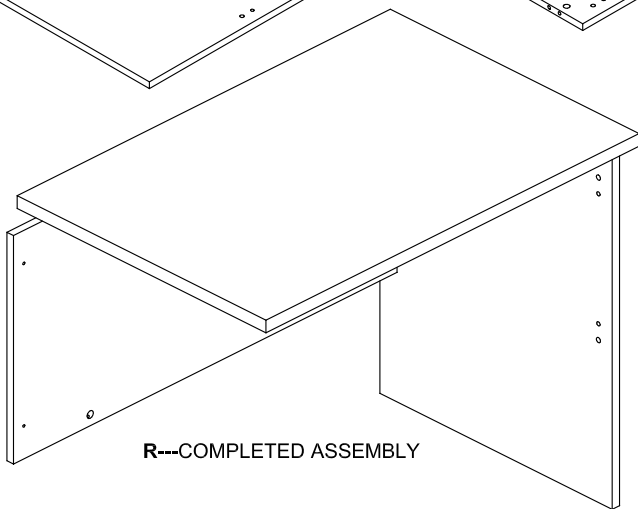
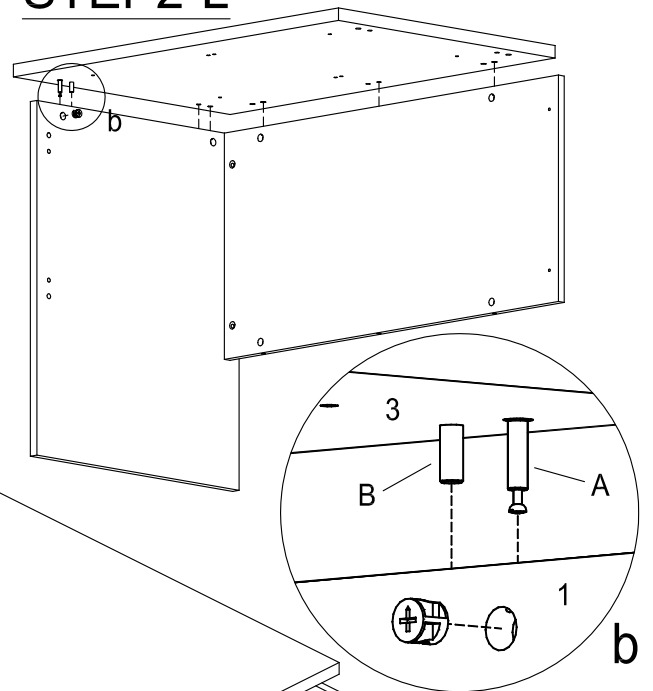
STEP1-L



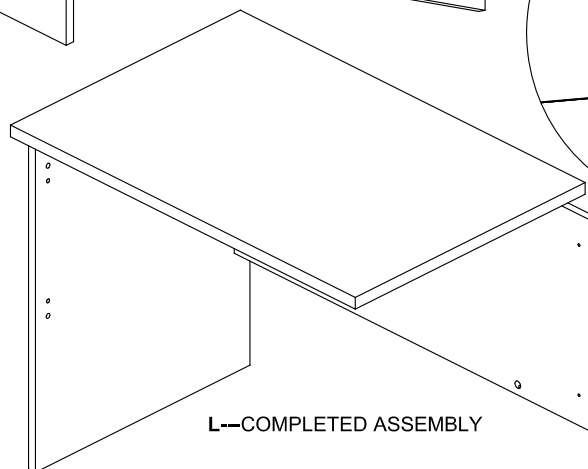
STEP2-R



STEP2-L



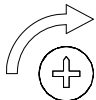
R---COMPLETED ASSEMBLY



L---COMPLETED ASSEMBLY

IMPORTANT:

FUNCTION OF KLIX CAM



1/4 RIGHT
TURN FOR
LOCKING

MAKE SURE THE ARROW IS
POINTING UPWARDS
BEFORE INSERTING INTO
THE PANEL HOLE.

IMPORTANT NOTE:

- Place all laminated parts on a clean and smooth surface such as a rug or carpet to avoid the parts from being scratched.
- Check to be sure that you have all parts and hardware.
- Remove all wrapping materials, including staples & packing straps before you start to assemble.
- Don't tighten all screws/bolts until all completely assembled.
- Keep all hardware parts out of reach of children.
- It is recommended to require 2 persons to complete the assembly.